



# Promessa™ Series Single Wall Baskets

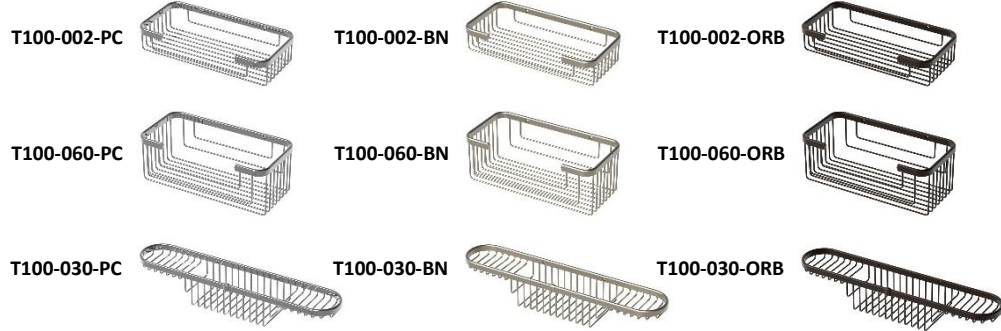
## Installation Procedures For The Following Models:

Revised: 1/8/16

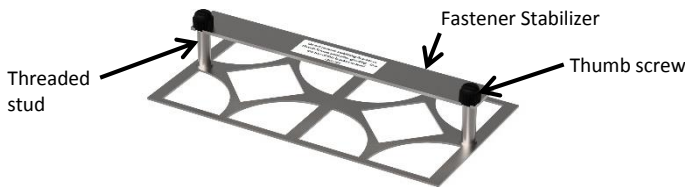
**Model T100-002**  
**Shampoo Basket**

**Model T100-060**  
**Extra Deep Shampoo Basket**

**Model T100-030**  
**Combination Basket**



### STEP 1 Understand Fastener

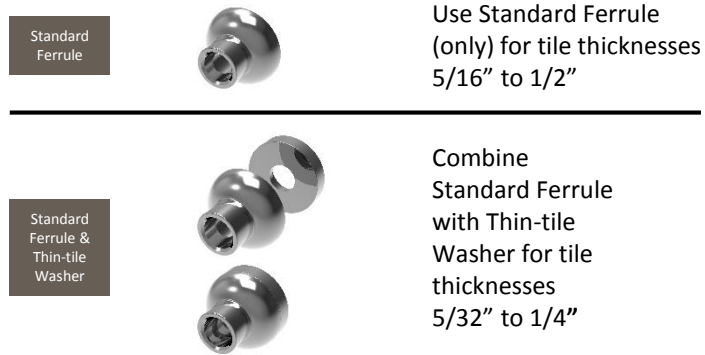


- Each PermaTile™ Fastener is equipped with a stabilizing bracket. The bracket ensures that basket mounts properly. Remove stabilizer after thin-set has met minimum cure times specified by manufacturer.

**Warning:** Each threaded stud is covered with a plastic thumb screw to prevent thin-set mortar from corrupting thread. Do not remove until after grouting.

**Note:** System will not work on tile thicknesses less than 5/32" or greater than 1/2"

### STEP 2 Understanding Ferrules & Washers

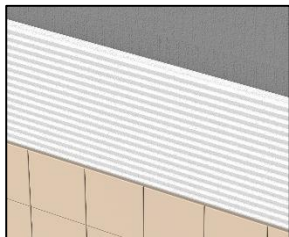


Use Standard Ferrule (only) for tile thicknesses 5/16" to 1/2"

Combine Standard Ferrule with Thin-tile Washer for tile thicknesses 5/32" to 1/4"

**Warning:** The success of this installation system requires that the tile professional clearly understands the thickness of a tile product. Failure to understand this requirement will lead to improper installation.

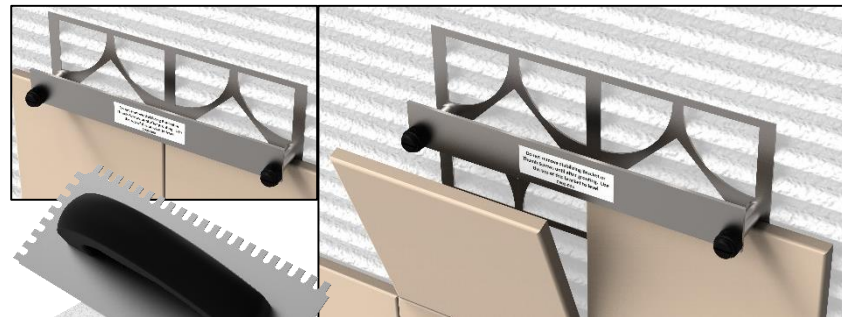
### STEP 3 Determine Basket Location



- Determine the wall surface where the PermaTile™ Fastener should be located.
- Apply thin-set mortar with no less than a 1/4" x 3/8" notch trowel.

**Warning:** Use only latex modified mortars that meet ANSI A118.4/A118.11 performance standard.

### STEP 4 Install PermaTile™ Fastener



- Key thin-set mortar into the back side of tile to ensure proper contact and adhesion.
- Press the PermaTile™ Fastener into the combed thin-set mortar at the predetermined location.

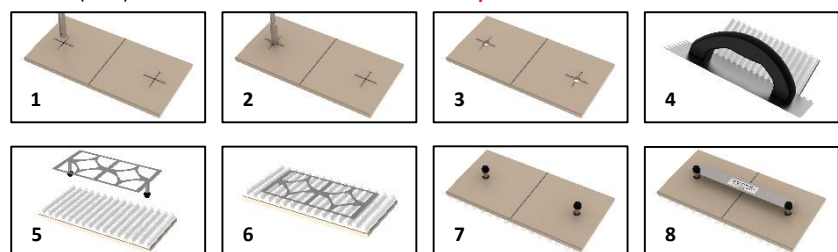
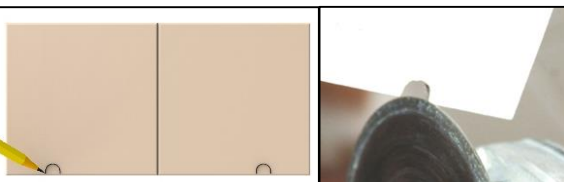
### STEP 5 Mark & Notch Tiles

- Mark notch location.
- Carefully remove stabilizing bracket marking left & right side notch locations. Using an angle grinder, remove enough material allowing 1/16" of adjustment, side to side and up and down.

**Warning:** Notches and holes should not exceed 3/8" in diameter to ensure trim has sufficient surface area during mounting.

**Technical Fact:**  
Procedures for installing PermaTile™ Fastener in the body of the tile. Use only 10mm diamond drill bit (core).

**Notch or drill 3/8" or 10mm so basket trim covers holes**

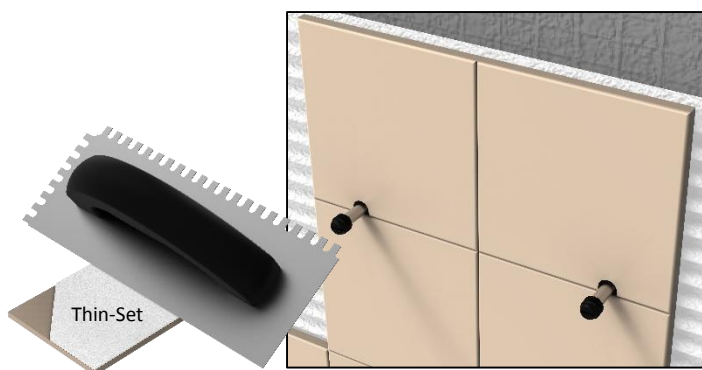




## Promessa™ Series Single Wall Baskets

Installation Procedures For T100-002 & T100-030 & T100-060

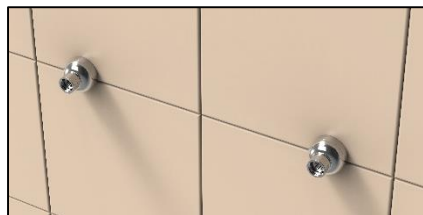
### STEP 6 Install Notched Tiles



- Install notched tile, key thin-set mortar into the back side of tile to ensure proper contact and adhesion. Press tile into wall and adjust as necessary.

### STEP 8 Install Trim

- Immediately proceed to accessory mounting after grouting is completed.
- Simply slip ferrules or ferrules & washers over studs.



### STEP 10 Install Caps



- Install decorative brass caps. Easier if all prongs enter hole then press firmly.

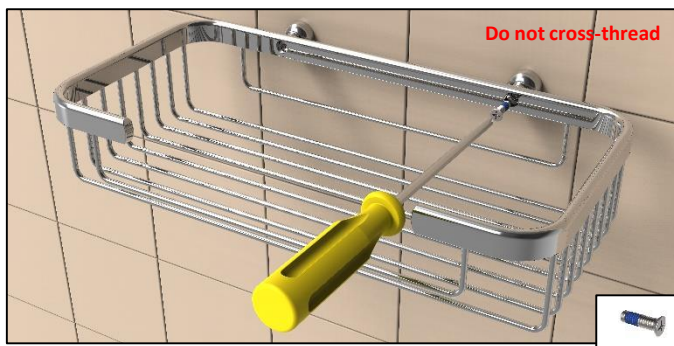
### STEP 7 Remount Stabilizer

- Remount metal stabilizing bracket as shown and **tighten thumb screws securely.**
- Proceed with tile installation.



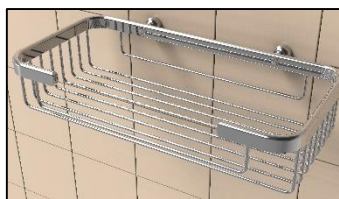
**Not using stabilizer will result in basket mounting failure**

### STEP 9 Mount Screws



- Install stainless steel screws.

### STEP 11 Install Complete



**Thank you for using our products!**

**TileWare Products**  
 PO Box 793, Hickory, NC 28603  
 Technical Support: 828-322-9273  
 Email: [info@tilewareproducts.com](mailto:info@tilewareproducts.com)  
[www.tilewareproducts.com](http://www.tilewareproducts.com)

## Shampoo, Extra Deep Shampoo & Combination Basket Parts List

Shampoo Basket Quantity 1 per kit	Extra Deep Shampoo Basket Quantity 1 per kit	Combination Basket Quantity 1 per kit	PermaTile™ Fastener quantity 1 per kit	Standard Ferrule quantity 2 per kit	Thin-tile Washer quantity 2 per kit	Cap quantity 2 per kit	8-32 Screw quantity 2 per kit
255285	239251	255976	PT100-504	255245	C220-020	243168	A008185